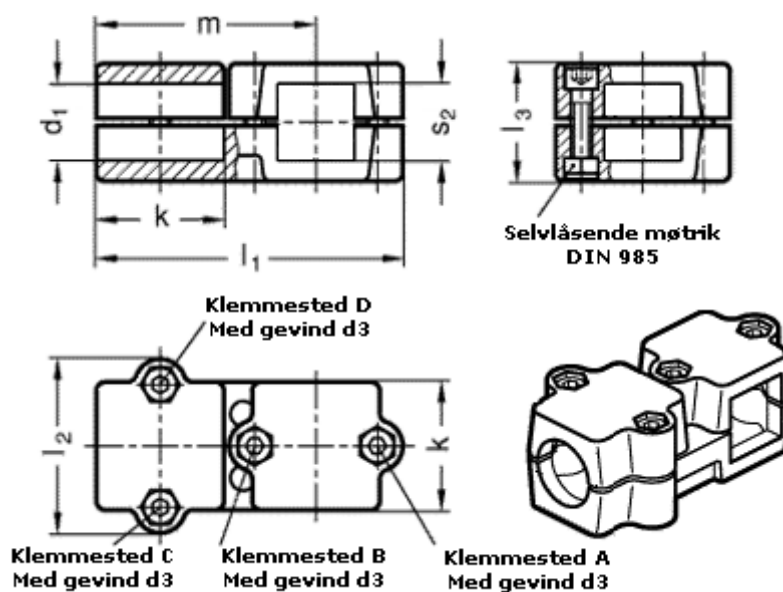


Article number: 20194V40B402BL

Description: E+G  
T-angel clamps GN194-V40-B40-2-BL

## Measures



d2 = 40  
d3 = M10  
k = 76  
l1 = 176  
l2 = 98  
l3 = 70  
m = 126  
s1 = 40